

FRONT VIEW



RIGHT VIEW

## Campsite Food Storage Locker

Heavy duty **24** cubic foot storage locker designed for safe, secure & convenient storage in outdoor parks & recreation areas. Designed to easily fit two large coolers with extra room for dry goods. Includes double doors with two safety release paddle latch systems, cover & locking hasps. Components, layout & access are ADA compliant, easy & safe to operate.

Optional Features Include:

1. Latch Hook & Cable Package
2. Divider Panel (two 12 CU FT Compartments)
3. Fixed Shelf with 10" of Vertical Space
4. Mount Post(s) for 36" Deep Ground Anchor

Made in America with heavy duty components, hinges and high quality 14-gauge steel for main body/shelves & 12-gauge steel for the top. Mounting foot plates included for secure ground anchors.

Vibrant finish using industry leading UV and corrosion resistant, weather proof powder coat offered in the standard colors shown below or any custom blend.



ISOMETRIC VIEW

FOREST GREEN



BLUE

GRAY

BURGUNDY



TAN



WHITE



BROWN



BEARICUDA BINS - PO Box 56, 3 West St.,  
Ste 3E, Litchfield, CT 06759-0056 877-232-7428  
www.bearicuda.com

PRODUCT: Whistler Outdoor Locker (LOC102D)

DESCRIPTION:

LOC102D

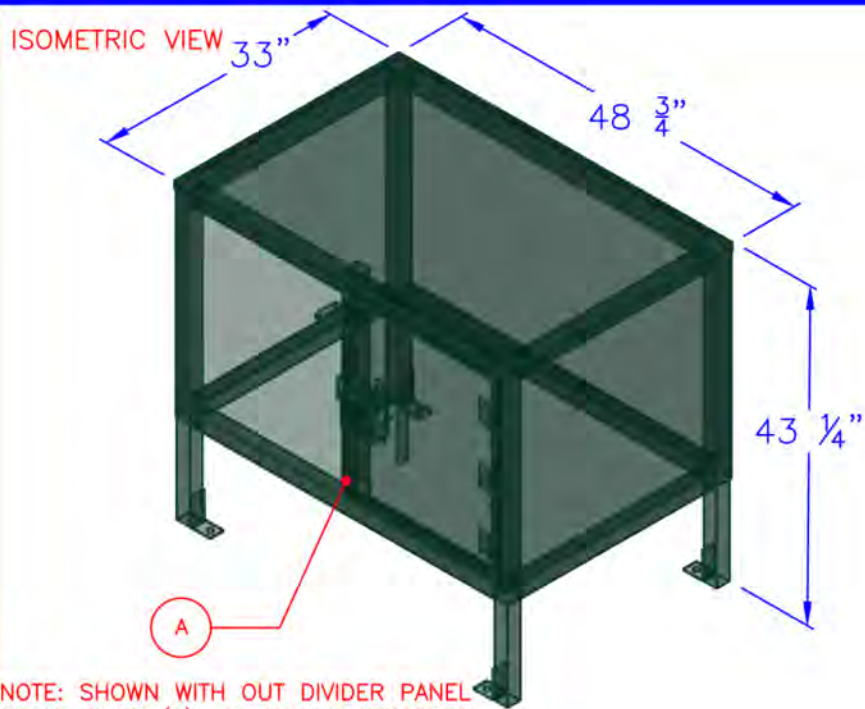
DETAILS: SHOWN WITH PADDLE LATCHES, HASPS & DIVIDER OPTION

SCALE:

1:18

DATE:

07-17-23

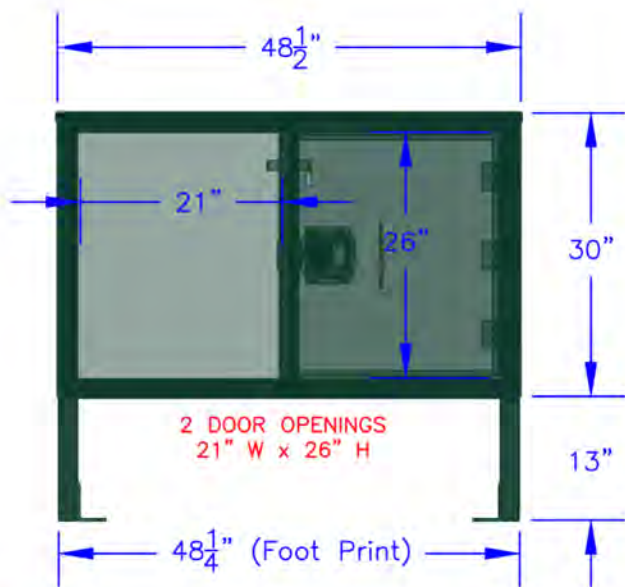


NOTE: SHOWN WITH OUT DIVIDER PANEL  
FRONT POST (A) IS ALWAYS REQUIRED

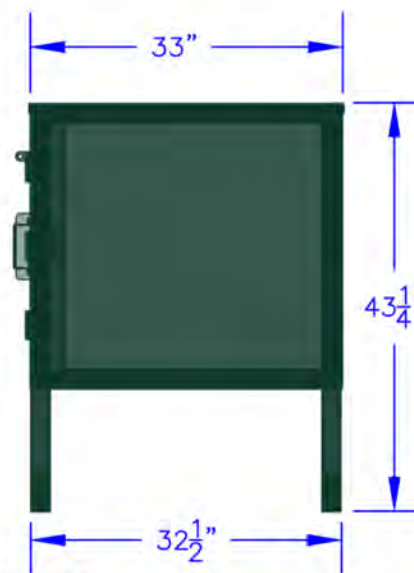
## 24 Cubic Foot Campsite Food Storage Locker Double

### Fabrication Specifications

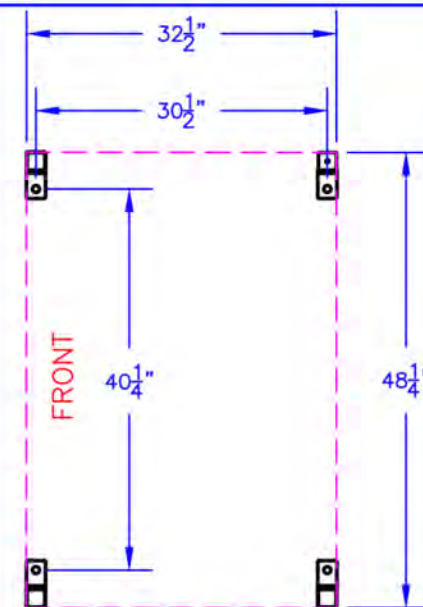
DIMENSIONS	48 <sup>3</sup> / <sub>4</sub> " Width x 33" Depth x 43 <sup>1</sup> / <sub>4</sub> " Height
INTERIOR SPACE	24 Cubic Feet (Approximate)
WEIGHT	295 Lbs. (Approximate - with Hardware)
FRAME	14 GA HR Steel 2" x 2" Square Tube
BODY & SHELVES	14 GA HR Steel
DOOR(S)	14 GA HR Steel
TOP	12 GA HR Steel
CATCHES & HASPS	10 GA HR Steel
HINGES	<sup>1</sup> / <sub>4</sub> " PLATE



FRONT VIEW



RIGHT VIEW



MOUNTING SPECS



BEARICUDA BINS - PO Box 56, 3 West St.,  
Ste 3E, Litchfield, CT 06759-0056 877-232-7428  
www.bearicuda.com

DESCRIPTION: CAMPSITE FOOD STORAGE LOCKER DOUBLE 24 CU FT

DRAFTER: R. SAHOTA

SCALE: 1:20

MATERIAL:

PRODUCT LOC102D

PATH NAME: Products/Bearproof/LOC102D

DATE: 07-17-23

TOLERANCES: ± .0313 AND .5"

SHEET 1 OF 1





FOREST GREEN



GRAY



BROWN

